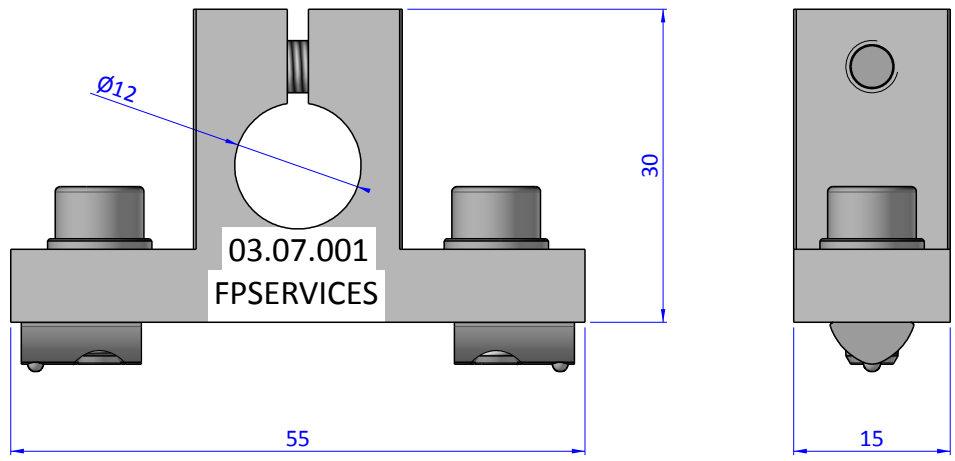
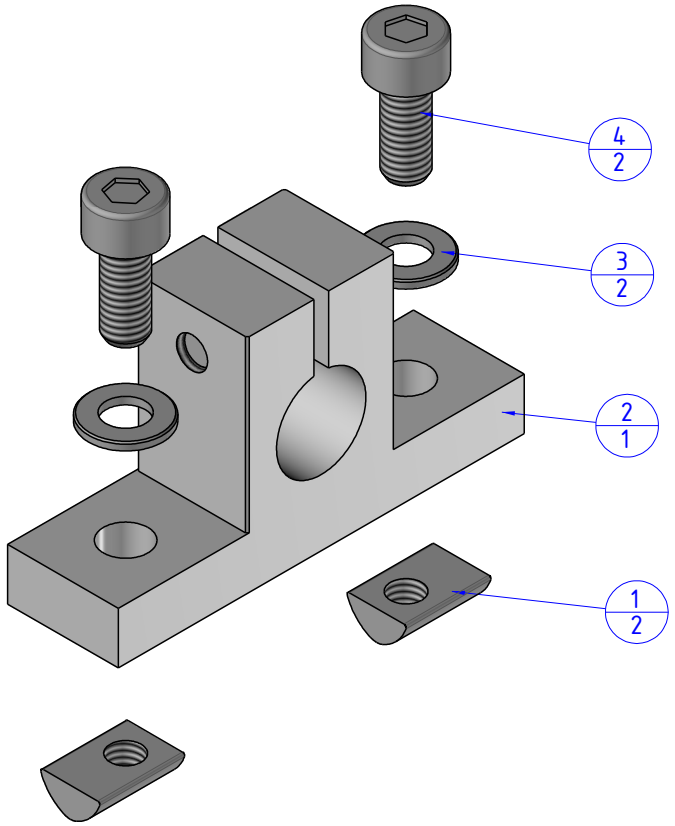


THE PROPERTY OF THE DRAWING IS ESTABLISHED BY LAW. IT IS FORBIDDEN TO PRODUCE OR SHOW IT TO THIRD PART, WITHOUT A WRITTEN AGREEMENT.

Object Number	Name	QTY
1	02.05.003	2
2	CA.03.07.001	1
3	R.5	2
4	V.TCE5x12	2



Format A3
UNI 936-76

		DESIGNED FROM		REVIEW
		FPS Automation		A
GENERAL TOLERANCE		DATE	WEIGHT	
UNI - ISO 2768		24/07/2019	0,043kg	
CLASSE f	DESCRIPTION	CODE		
	CA.03.07.001.5	CA.03.07.001.5		